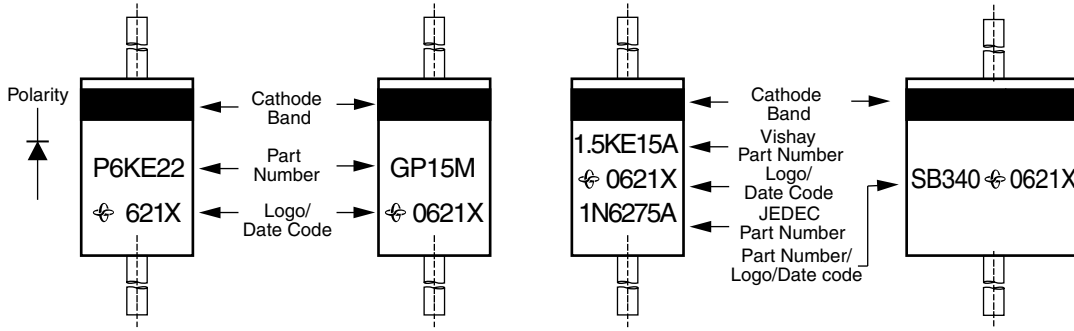


## PDD Marking

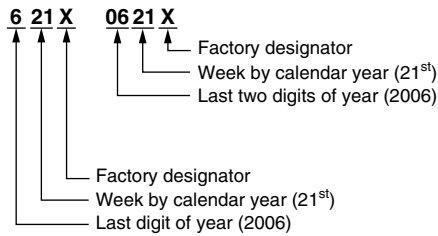
### AXIAL MARKING

Package: DO-204AL/DO-204AC/DO-201AD/GP20/1.5KE/P600

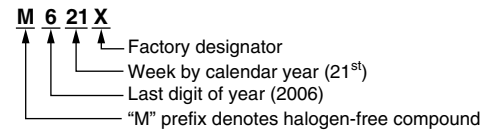
Examples:



#### DATE CODE (For RoHS compliant products)

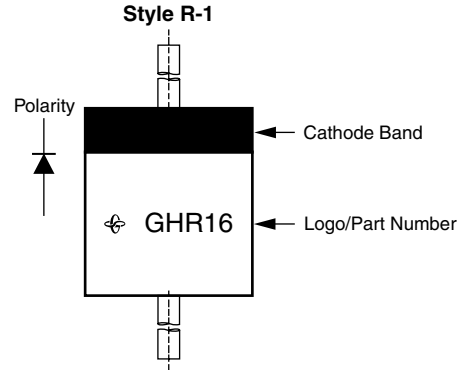
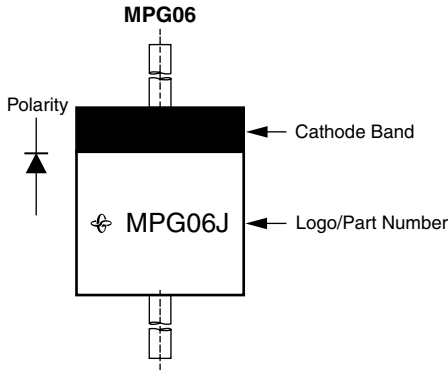


#### DATE CODE (For halogen-free products)



#### Notes

- (1) No cathode band marking for TVS bi-directional type
- (2) Date code per individual part number specification



PART NUMBER MARKING CODE		
TYPE	RoHS COMPLIANT	HALOGEN-FREE
MPG06 series	MPG06x	M06x
RMPG06 series	RMPG06x	MR06x
UG06 series	UG06x	MUG06x
SB0x series	SB0x0	MSB0x0
TPMP06 series	T-x	MT-x

#### Note

- x - type code

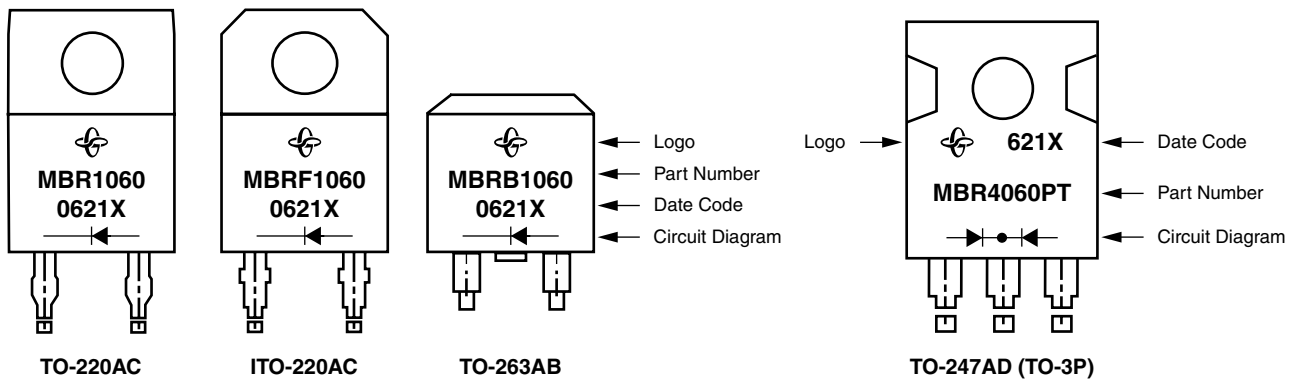
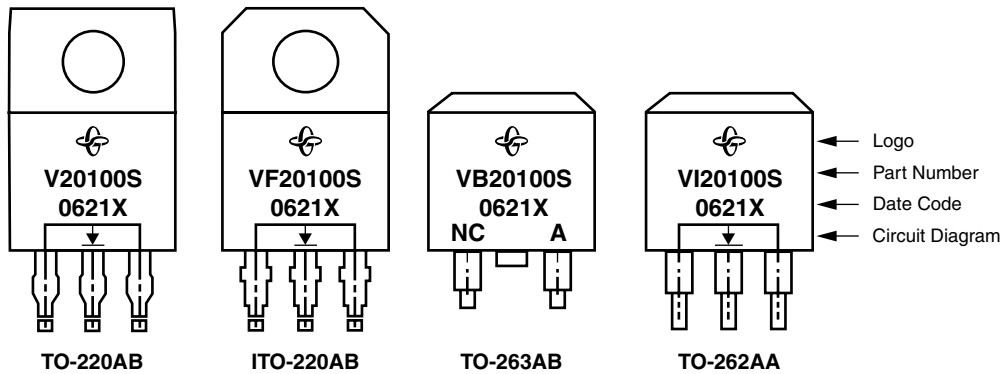
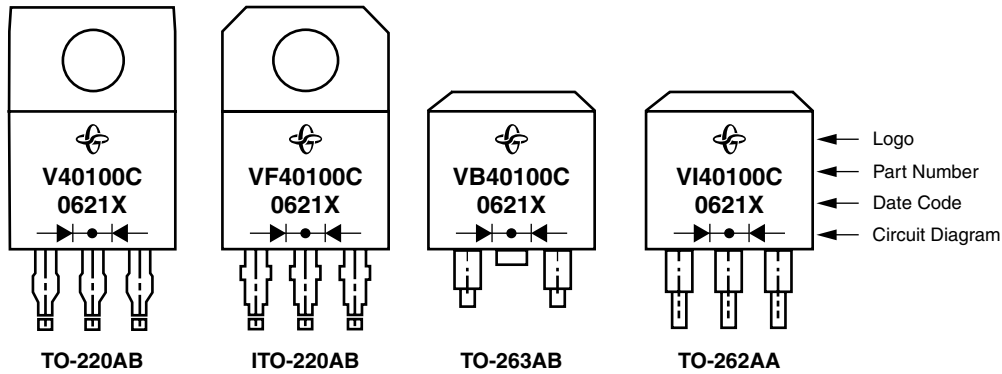
PART NUMBER MARKING CODE		
TYPE	RoHS COMPLIANT	HALOGEN-FREE
GHR16	GHR16	GHR16.

#### Note

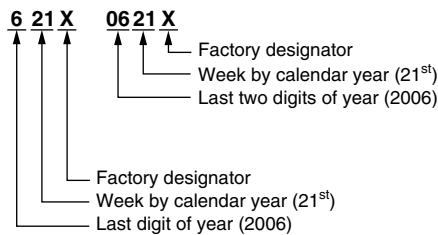
- “.” suffix denotes halogen-free

## POWER PACK MARKING

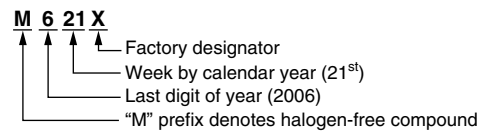
Examples:



### DATE CODE (For RoHS compliant products)



### DATE CODE (For halogen-free products)



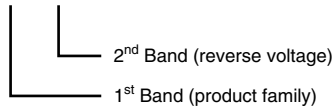
### Notes

(1) Date code per individual part number specification

### PLASTIC MELF AND MINIMELF MARKING

#### 1. Package: DO-213AB (GL41)

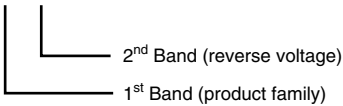
**MELF**  
2.5 mm x 4.9 mm



TYPE	1 <sup>st</sup> BAND	2 <sup>nd</sup> BAND	
BYM10 series	white	gray: 50 V	violet: 1000 V
GL41 series	white	red: 100 V	white: 1200 V
BYM11 series	red	orange: 200 V	brown: 1600 V
RGL41 series	red	yellow: 400 V	
BYM12 series	green	green: 600 V	
EGL41 series	green	blue: 800 V	
BYM13 series	orange	gray: 20 V orange: 40 V green: 60 V	
SGL41 series	orange	red: 30 V yellow: 50 V	
TGL41-xx	blue		
ZGL41-xx	red		

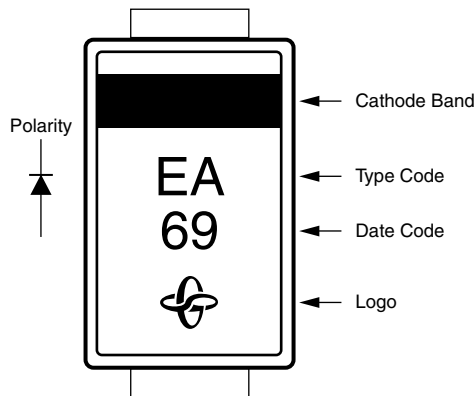
#### 2. Package: DO-213AA (GL34)

**MiniMELF**  
1.6 mm x 3.5 mm

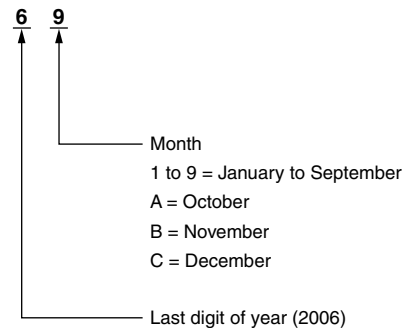


TYPE	1 <sup>st</sup> BAND	2 <sup>nd</sup> BAND	
BYM07 series	white	gray: 50 V	brown: 300 V
GL34 series	white	red: 100 V	yellow: 400 V
EGL34 series	green	pink: 150 V	green: 600 V
RGL34 series	red	orange: 200 V	blue: 800 V

### DO-214BA (GF1) MARKING



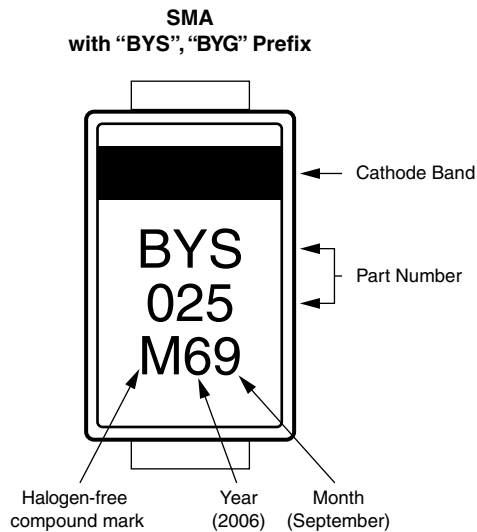
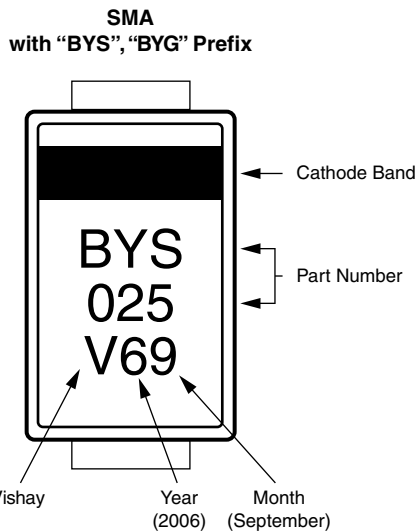
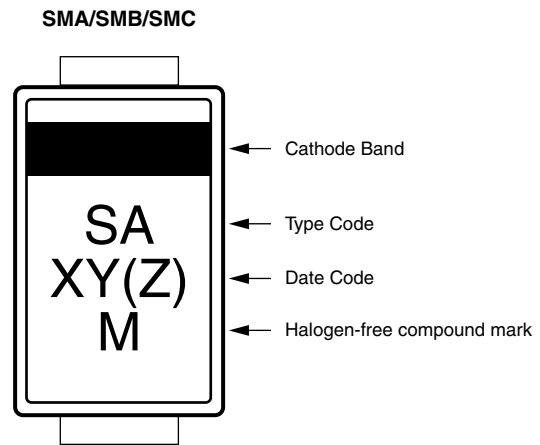
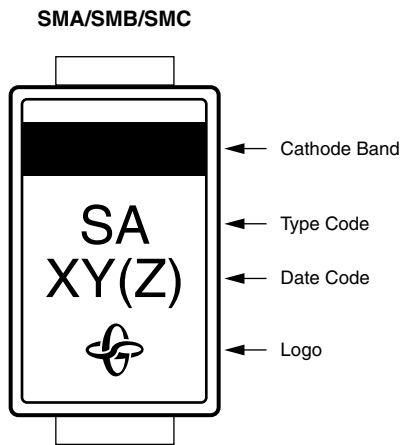
#### DATE CODE



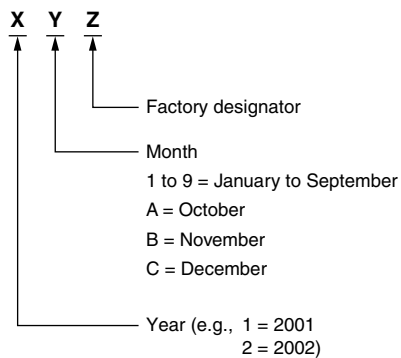
#### Note

- Type code refers to individual datasheet

## DO-214AC (SMA), DO-214AA (SMB) AND DO-214AB (SMC) MARKING



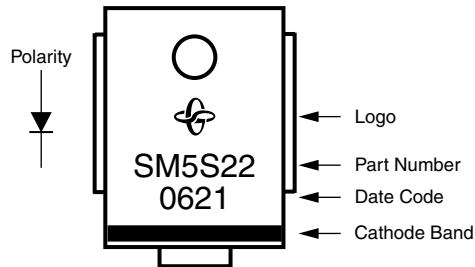
### DATE CODE



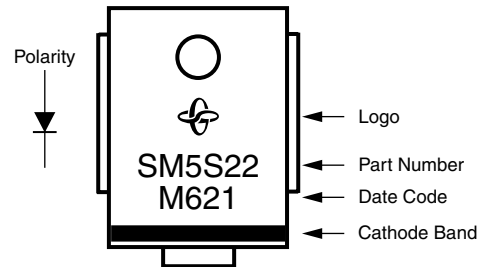
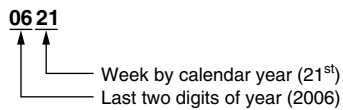
### Notes

- Type code refers to individual datasheet
- No cathode band marking for TVS bi-directional type
- "XY" 2 digits: For rectifiers and PAR TVS (TPSMA, TPSMB, TPSMB, and TPSMC)
- "XYZ" 3 digits: For TRANSZORB<sup>®</sup> TVS and Power Voltage-Regulating Diodes
- Non "M" mark belongs to RoHS compliant product

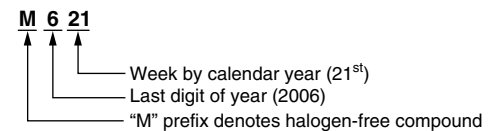
## DO-218AB MARKING



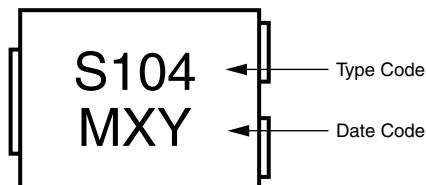
DATE CODE (For RoHS compliant products)



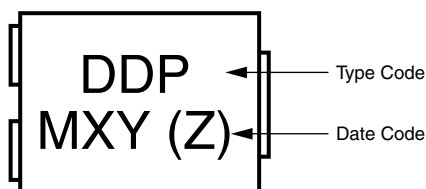
DATE CODE (For halogen-free products)



## TO-277A (SMPC) MARKING

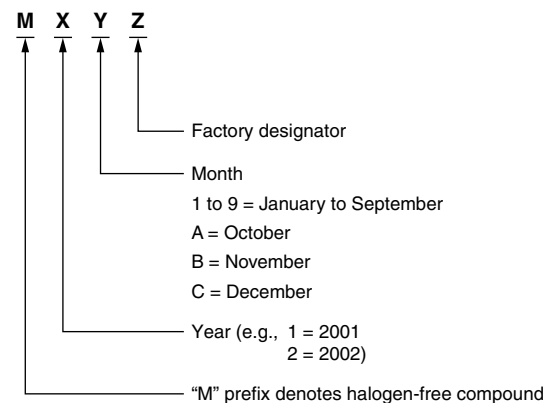


Polarity (For rectifiers)



Polarity (For TVS)

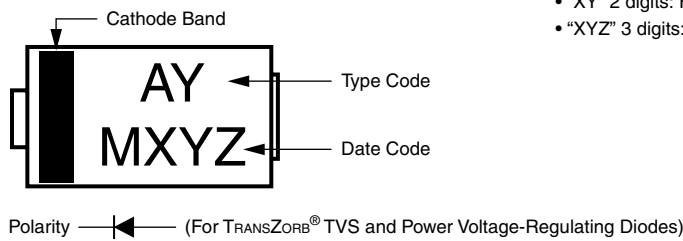
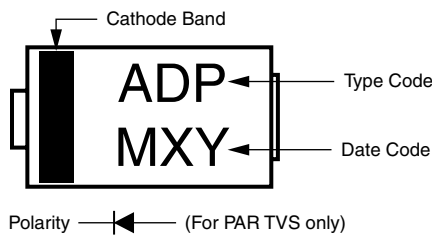
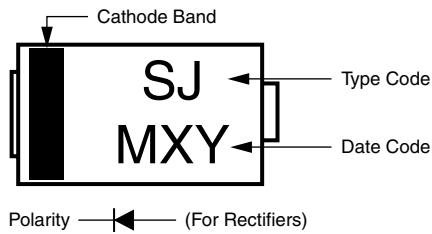
### DATE CODE



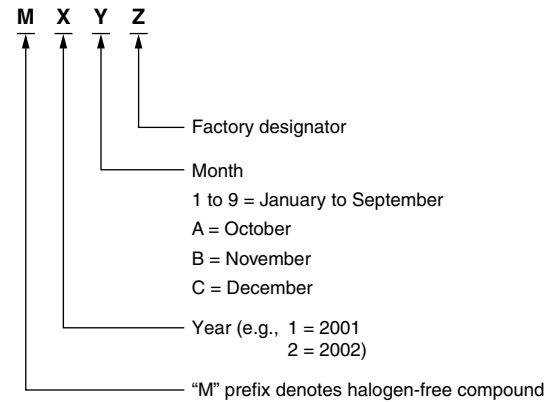
### Notes

- Type code refers to individual datasheet
- "XY" 2 digits: For rectifiers and PAR TVS
- "XYZ" 3 digits: For TRANSZORB<sup>®</sup> TVS

## DO-220AA (SMP) MARKING



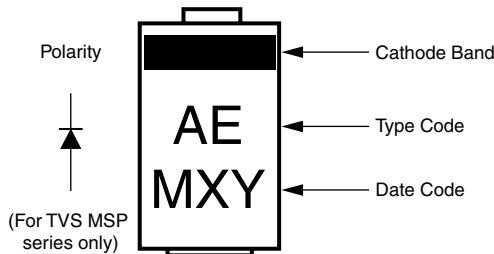
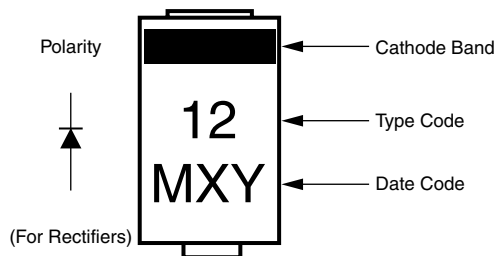
### DATE CODE



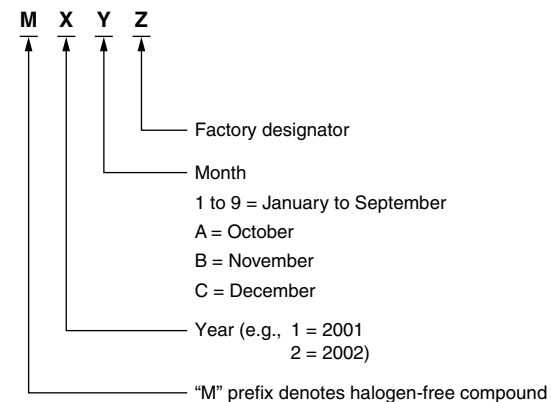
### Notes

- Type code refers to individual datasheet
- “XY” 2 digits: For rectifiers and PAR TVS
- “XYZ” 3 digits: For TRANSZORB<sup>®</sup> TVS and Power Voltage-Regulating Diodes

## MicroSMP MARKING



### DATE CODE



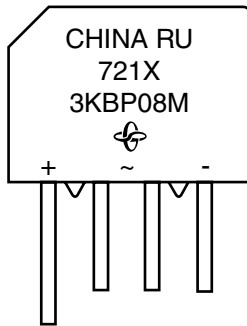
### Note

- Type code refers to individual datasheet

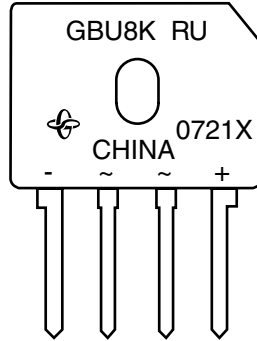
## BRIDGE MARKING

Single in-line bridge marking

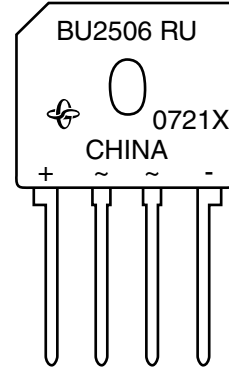
**Case Style KBPM**



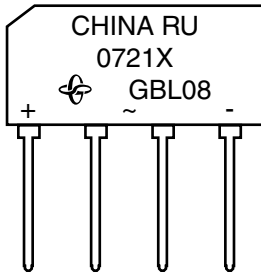
**Case Style KBU/GBU**



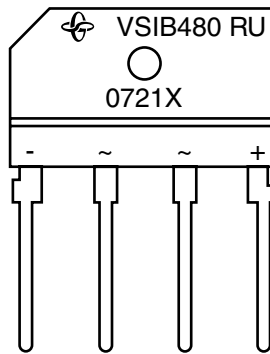
**Case Style BU**



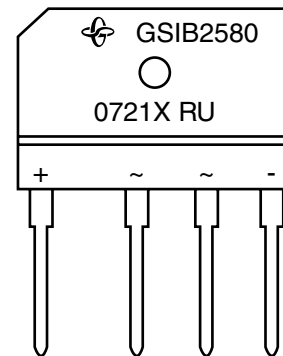
**Case Type KBL/GBL**



**Case Style 3S**



**Case Style GSIB-5S/PB**



Logo :

Part Number: 3KBP08M, BU2506 (example)  
 UL approved: RU  
 Location: China  
 Date Code (e.g., 721X, 0721X or M721X)  
 Polarity: + Positive output terminal  
 - Negative output terminal  
 ~ Alternate

DATE CODE (For RoHS compliant products)

**07 21 X**  
 ↑ ↑ ↑  
 Factory designator  
 Week by calendar year (21<sup>st</sup>)  
 Last two digits of year (2007)

DATE CODE (For RoHS compliant products)

**7 21 X**  
 ↑ ↑ ↑  
 Factory designator  
 Week by calendar year (21<sup>st</sup>)  
 Last digit of year (2007)

DATE CODE (For halogen-free products)

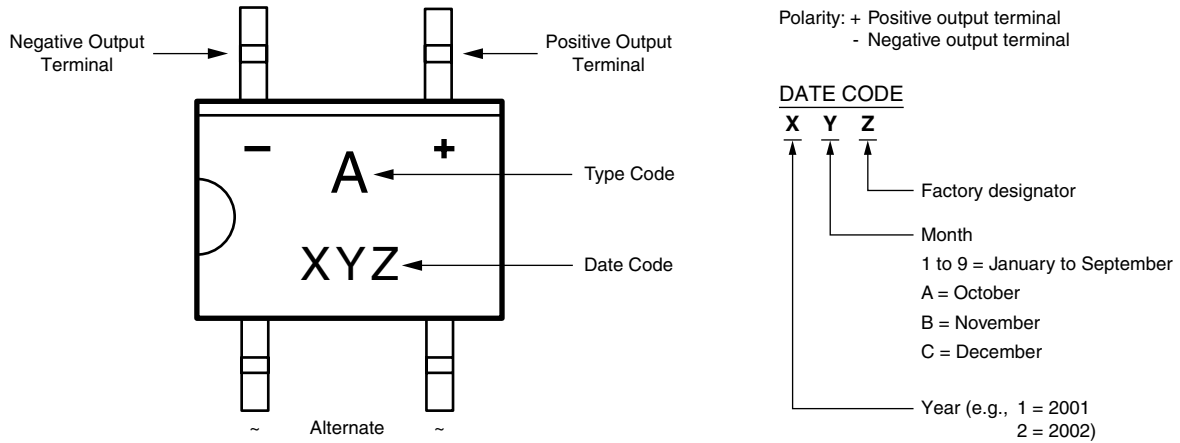
**M 7 21 X**  
 ↑ ↑ ↑ ↑  
 Factory designator  
 Week by calendar year (21<sup>st</sup>)  
 Last digit of year (2007)  
 "M" prefix denotes halogen-free compound

**Notes**

<sup>(1)</sup> Date code per individual part number specification

## DUAL IN-LINE BRIDGE MARKING

TO-269AA (MBS) and MBM Mini-Bridge

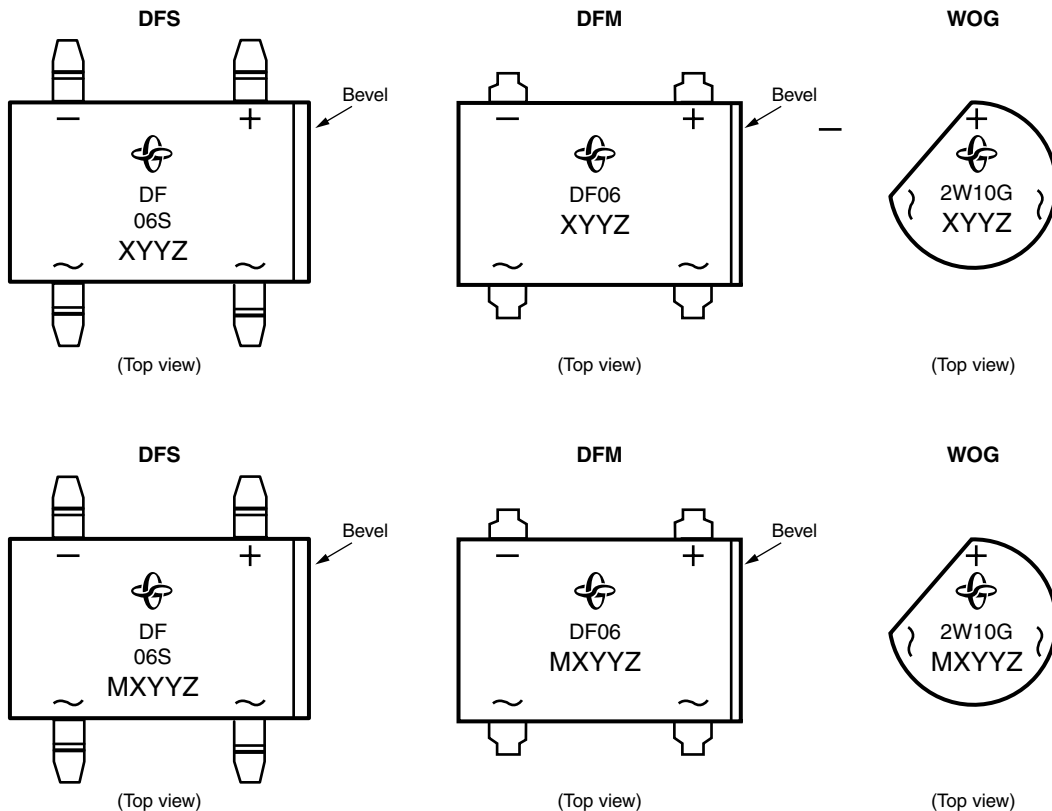


TYPE	TYPE CODE	TYPE	TYPE CODE
B2S, B2M	B2	MB4S, MB4M	4
B4S, B4M	B4	MB6S, MB6M	6
B6S, B6M	B6	RMB2S	2R
MB2S, MB2M	2	RMB4S	4R

**Note**

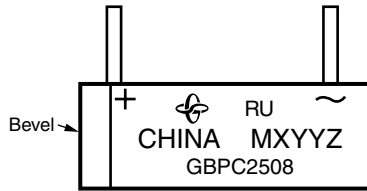
- For halogen-free: Add "Underline" below type code (e.g., Ω)

DFS, DFM and WOG



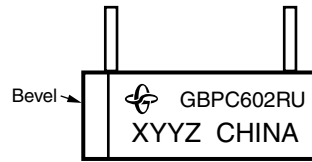


### Case Style GBPC/GBPC-W



(Side view)

### Case Style GBPC1/GBPC6



(Side view)

Logo: 

Part Number: GBPC2508 (example)

UL approved: RU

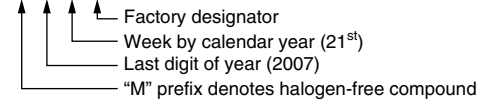
Location: China

Date Code (M)XYZ

Polarity: + Positive output terminal  
 - Negative output terminal  
 ~ Alternate

### DATE CODE

**M X Y Z**



### Notes

- (1) Date code per individual part number specification
- (2) Non "M" mark belongs to RoHS compliant product
- (3) "M" prefix denotes halogen-free compound